

# TL3750 SERIES TACT SWITCH

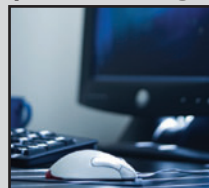
ANTI-VANDAL SWITCHES  
 DETECTOR SWITCHES  
 DIP SWITCHES  
 KEYLOCK SWITCHES  
 NAVIGATION SWITCHES  
 PUSHBUTTON SWITCHES  
 ROCKER SWITCHES  
 ROTARY SWITCHES  
 SLIDE SWITCHES  
 SNAP ACTION SWITCHES  
**TACTILE SWITCHES**  
 TOGGLE SWITCHES  
 CAP OPTIONS



## APPLICATIONS / MARKETS



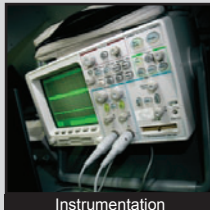
Wearable Electronics



Computer Peripherals



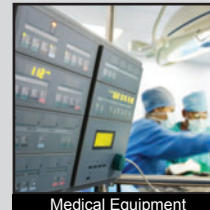
Consumer Electronics



Instrumentation



Telecommunication



Medical Equipment

# RoHS

## SPECIFICATIONS

**Electrical Rating:** 50mA @ 12VDC  
**Electrical Life:** 300,000 Cycles  
**Mechanical Life:** 300,000 Cycles  
**Contact Resistance:** 500mΩ Max. initial  
**Insulation Resistance:** 100M Ω at 100VDC  
**Dielectric Strength:** 100VAC for 1 min.  
**Operating Temperature:** -30°C to 85°C  
**Storage Temperature:** -40°C to 90°C  
**Operating Force:** 100, 180, 240 gf  
**Travel:** 0.13mm  
**Contact Arrangement:** SPST

## FEATURES & BENEFITS

- Ultra-miniature - 2.0mm x 3.0mm
- Surface mount termination
- Very low profile - 0.58mm

## PART NUMBER CONFIGURATOR

Series	Model	Actuator Option	Actuation Force	Contact Material	Termination
<input type="text" value="TL"/>	<input type="text" value="3750"/>	<input type="text" value="A - 0.58mm"/>	<input type="text" value="F100 - 100 gf"/> <input type="text" value="F180 - 180 gf"/> <input type="text" value="F240 - 240 gf"/>	<input type="text" value="Q - Silver"/>	<input type="text" value="G - Gullwing"/>

*Specifications subject to change without notice*



**E-SWITCH®**

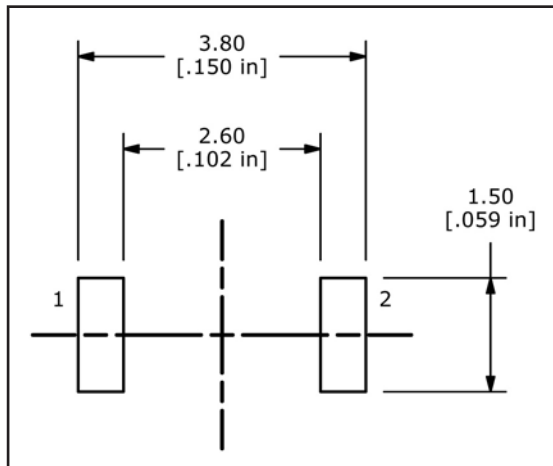
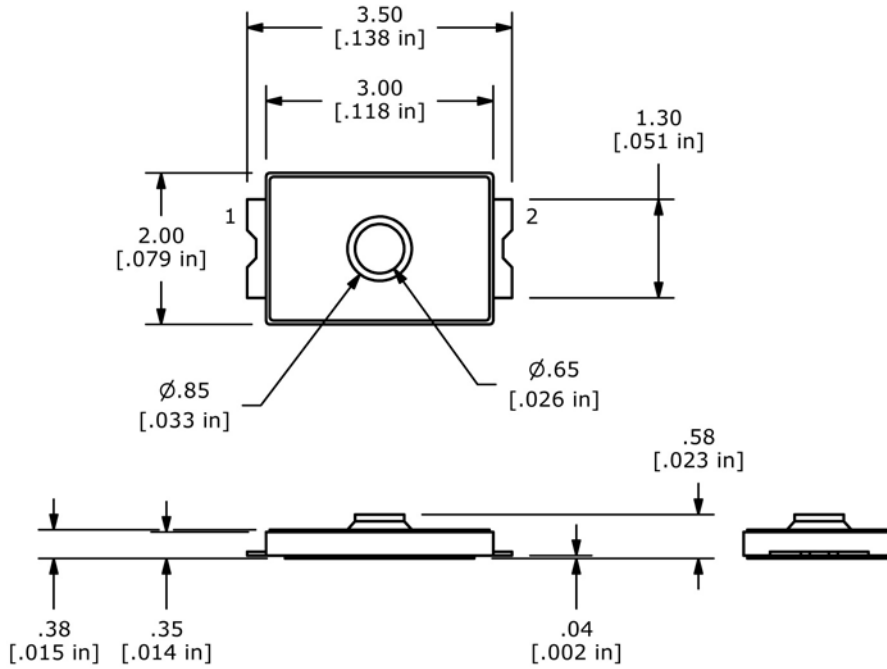
www.e-switch.com

800.867.2717

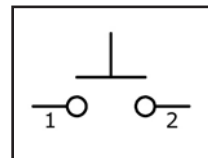
2

# TL3750 SERIES TACT SWITCH

## BODY DIMENSIONS



PCB LAYOUT



SCHEMATIC

- ANTI-VANDAL SWITCHES
- DETECTOR SWITCHES
- DIP SWITCHES
- KEYLOCK SWITCHES
- NAVIGATION SWITCHES
- PUSHBUTTON SWITCHES
- ROCKER SWITCHES
- ROTARY SWITCHES
- SLIDE SWITCHES
- SNAP ACTION SWITCHES
- TACTILE SWITCHES**
- TOGGLE SWITCHES
- CAP OPTIONS

